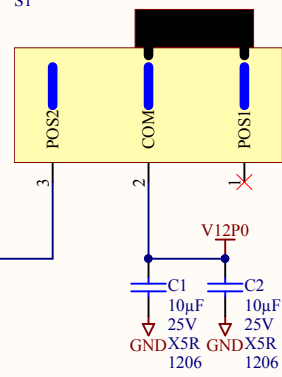


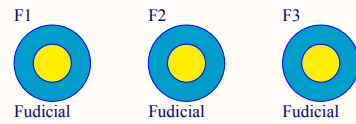
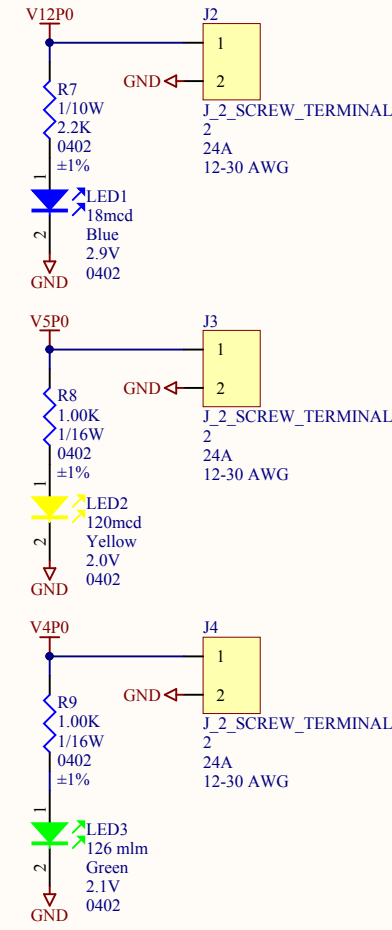
CUI Inc
PJ-002A
2.1mm ID, 5.5mm OD
5A
CP-002A-ND


Slide Switch
C&K Components
L102021ML04Q
On-On
4A @ 125VAC
Through Hole
Right Angle

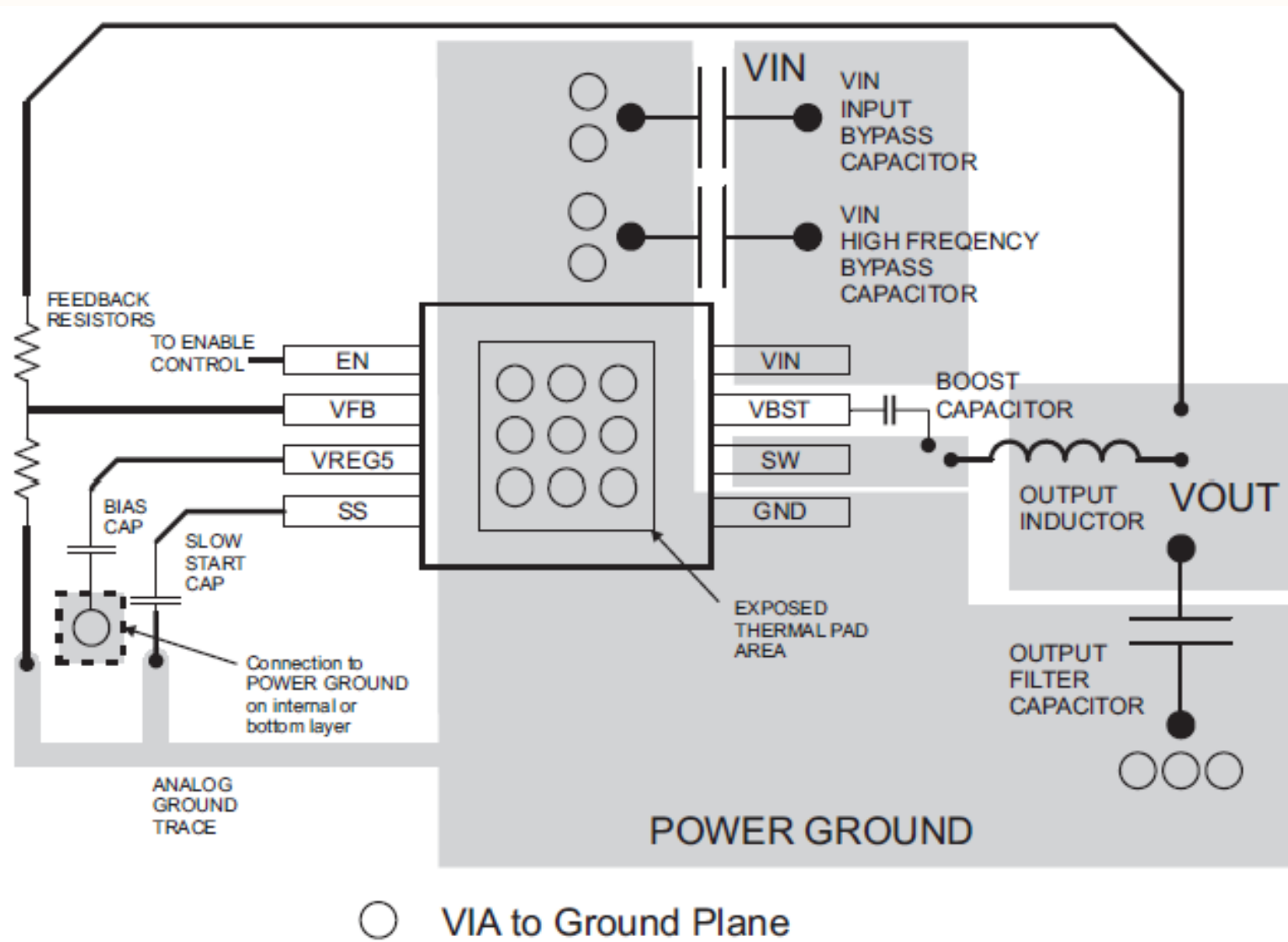
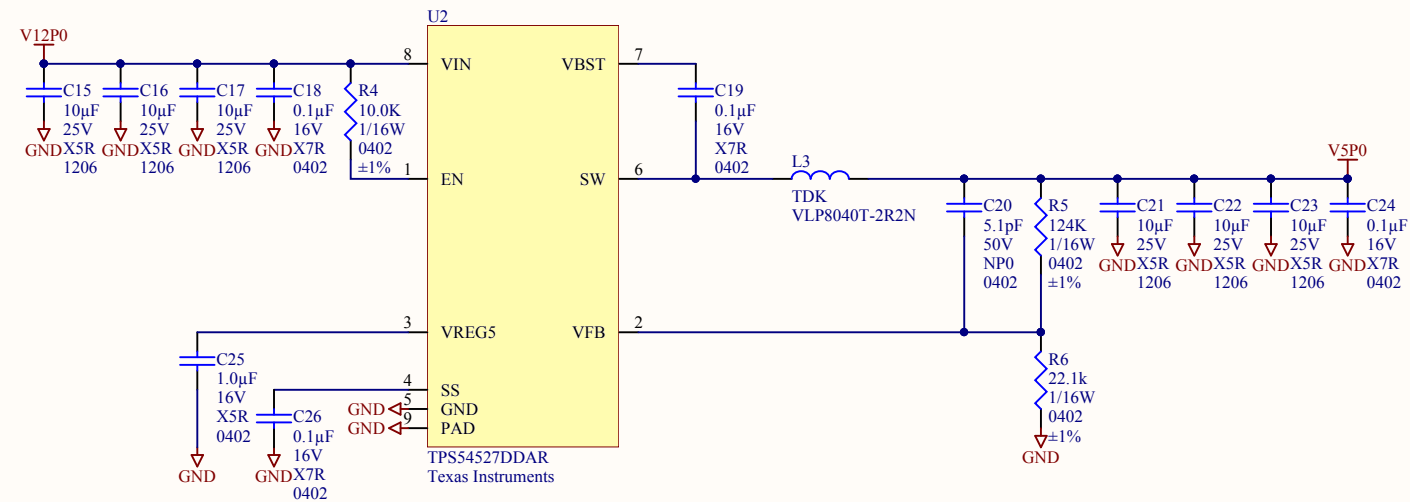



Powr 5V Regulator
Power 5V Regulator.SchDoc

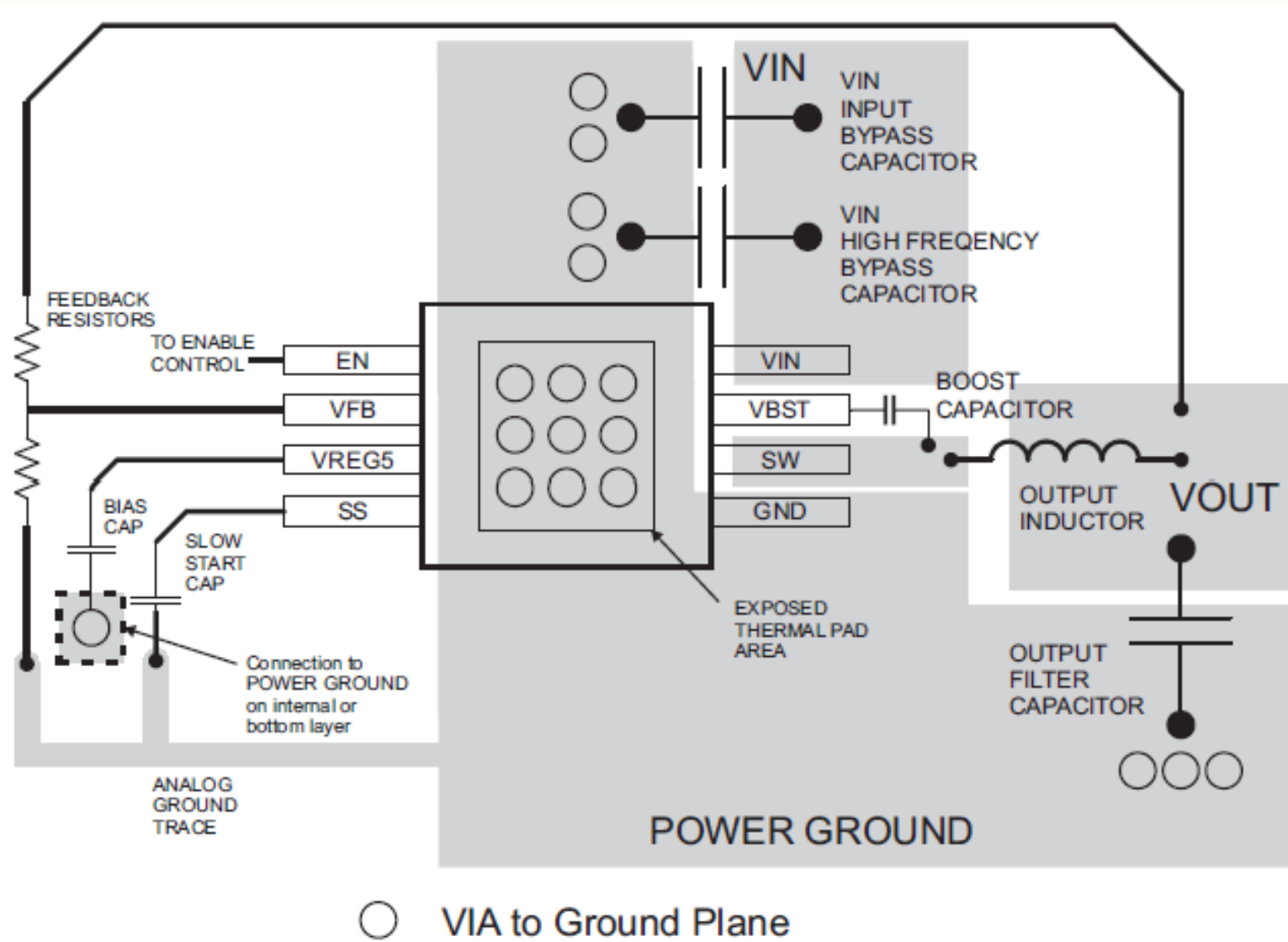
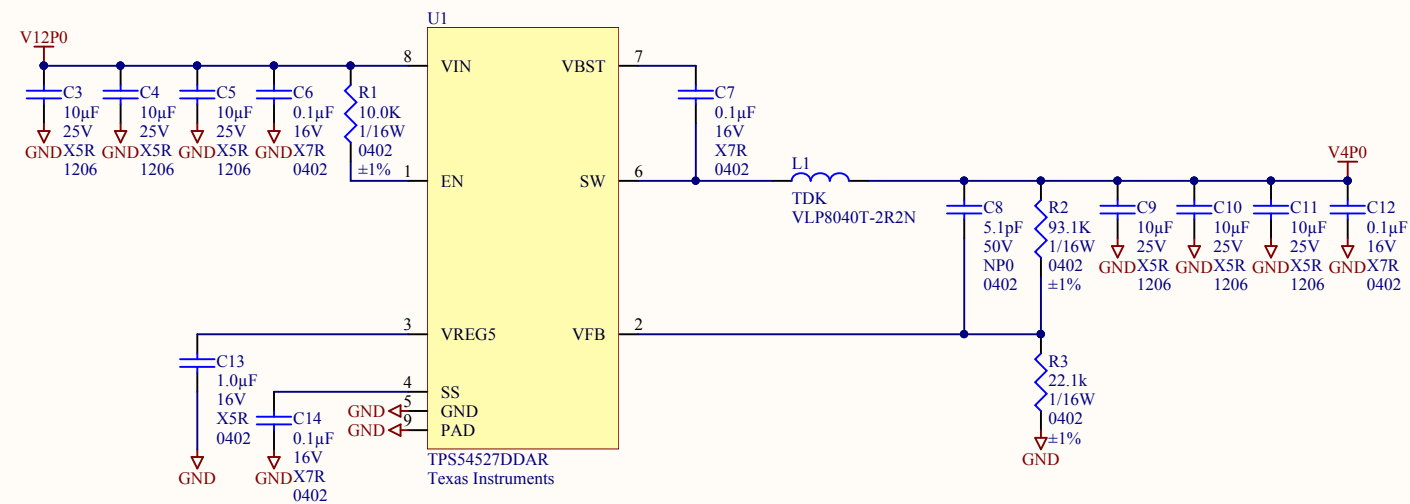
Power 4V Regulator
Power 4V Regulator.SchDoc




| | | |
|----------------|----------------------|---|
| Title: | Block Diagram | Cospan Design http://www.cospandesign.com  |
| Project: | Willow Power Board | |
| Document: | Block Diagram.SchDoc | |
| Engineer: | Dave McCoy | |
| Drawn By: | Dave McCoy | |
| Revision: | 1.0 | |
| Date: | 3/16/2015 | |
| Number: 1 of 3 | | |



| | | |
|-----------|---------------------------|---|
| Title: | 5V Power Regulator | Cospan Design http://www.cospandesign.com  |
| Project: | Willow Power Board | |
| Document: | Power 5V Regulator.SchDoc | |
| Engineer: | Dave McCoy | |
| Drawn By: | Dave McCoy | |
| Revision: | 1.0 | |
| Date: | 3/16/2015 | Number: 2 of 3 |



| | | |
|-----------|---------------------------|---|
| Title: | 4V Power Regulator | Cospan Design http://www.cospandesign.com  |
| Project: | Willow Power Board | |
| Document: | Power 4V Regulator.SchDoc | |
| Engineer: | Dave McCoy | |
| Drawn By: | Dave McCoy | |
| Revision: | 1.0 | |
| Date: | 3/16/2015 | |
| Number: | 3 of 3 | |

